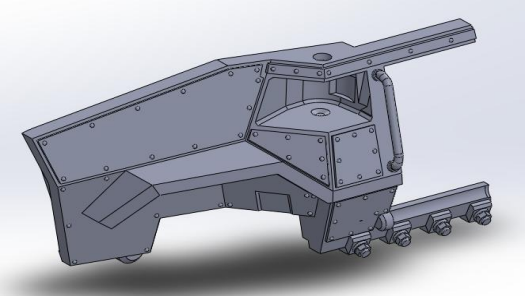
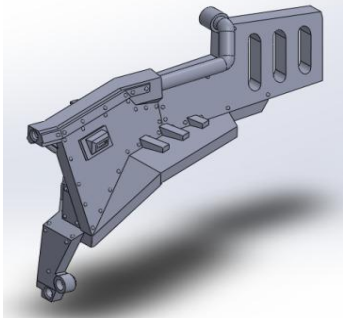
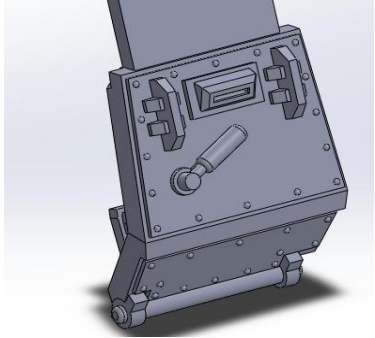
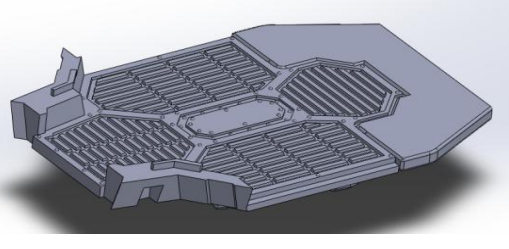
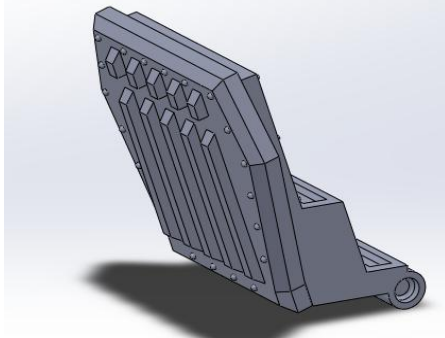
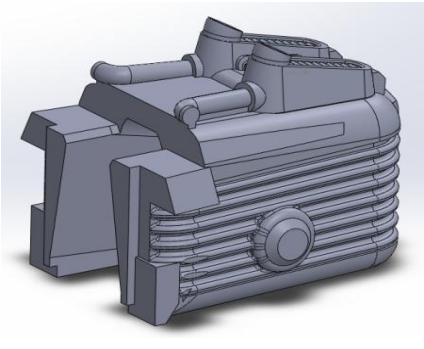
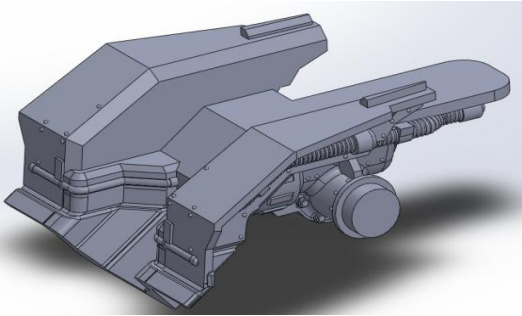

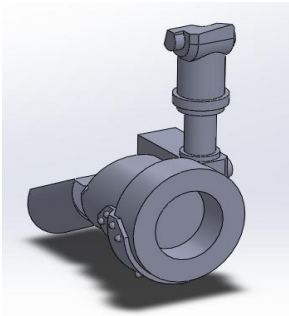
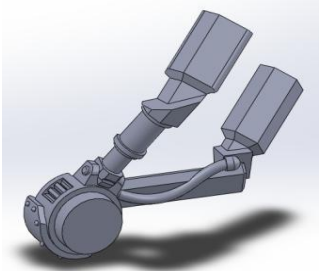
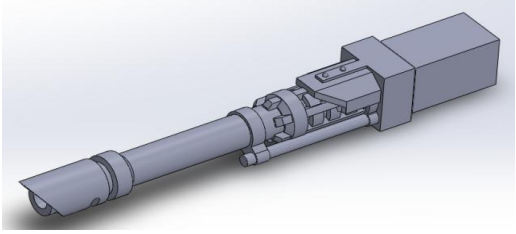
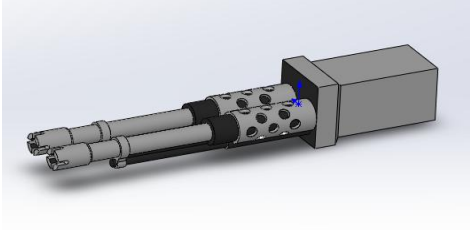
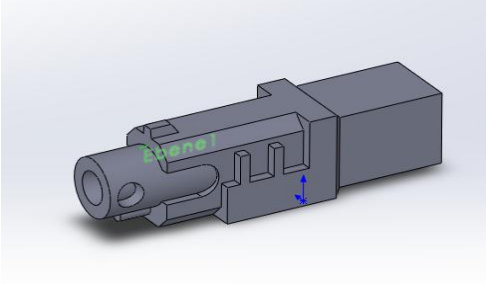
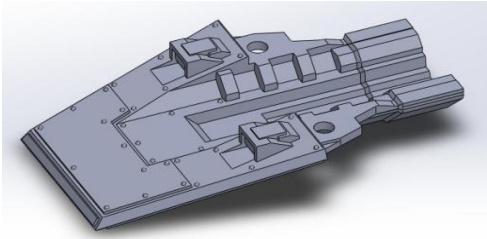
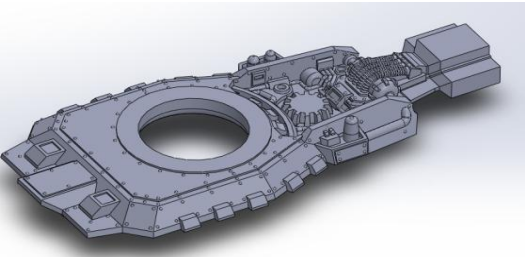


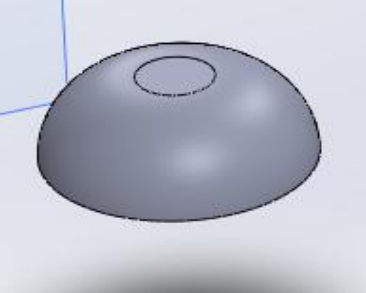
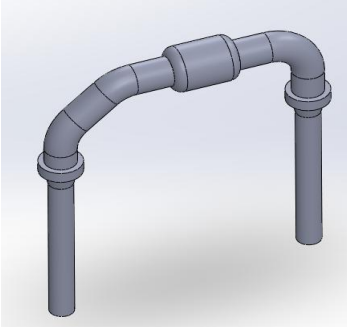
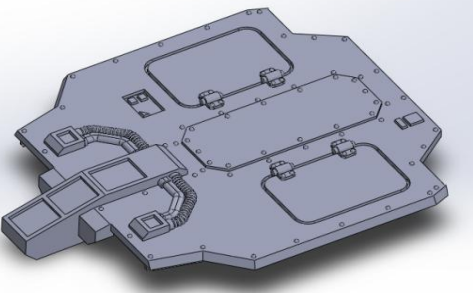
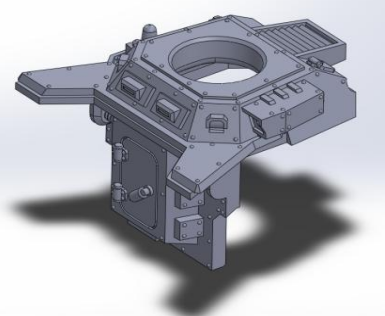
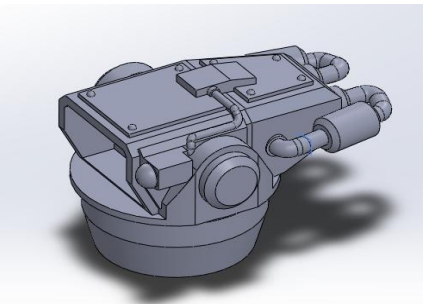
Heavy Wheeled	000000000215	
	Main body front	1
	Main body rear	1
	side hatch	L+R
	floor	1
	front hatch	1

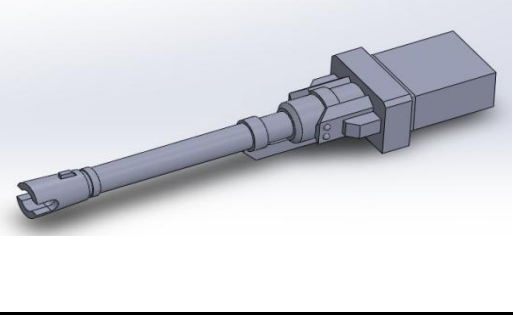
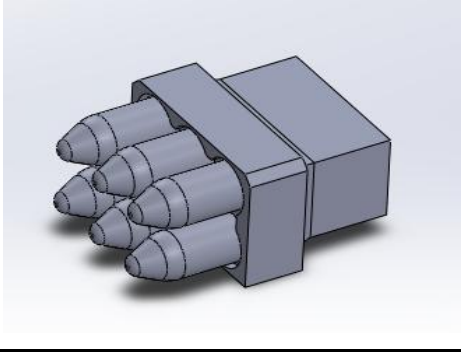
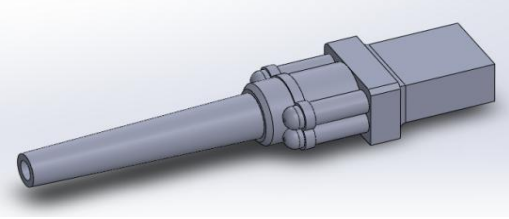
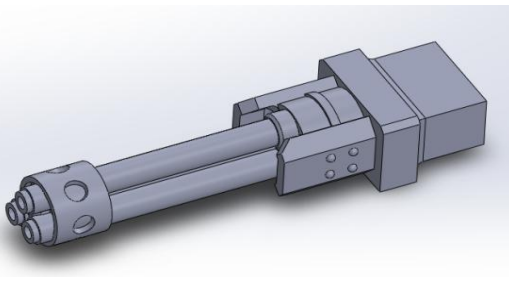
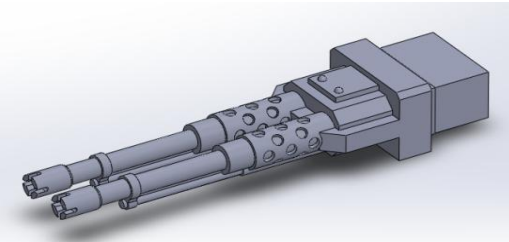
	engine	1
	rear axle	1
	single wheel	4
	single front axle	L+R
	double front axle	L+R

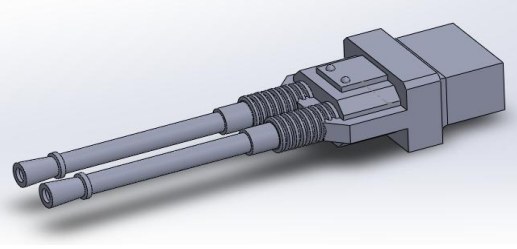
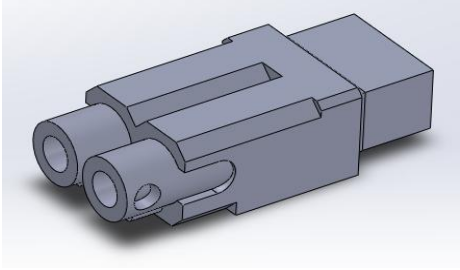
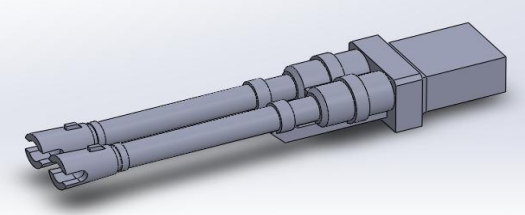
	<p>double axle</p>	<p>4</p>
	<p>double wheel</p>	<p>4</p>
	<p>side weapon opt 1</p>	<p>L+R</p>
	<p>side weapon opt 2</p>	<p>L+R</p>
	<p>side weapon opt 3</p>	<p>L+R</p>

	<p>side weapon opt 4</p>	<p>L+R</p>
	<p>side weapon opt 5</p>	<p>L+R</p>
	<p>side weapon opt 6</p>	<p>L+R</p>
	<p>side weapon opt 7</p>	<p>L+R</p>
	<p>Front weapon opt 1</p>	<p>1</p>

	<p>Front weapon opt 2</p>	<p>1</p>
	<p>Front weapon opt 3</p>	<p>1+1</p>
	<p>Front weapon opt 4</p>	<p>1</p>
	<p>Top cover front</p>	<p>1</p>
	<p>25mm turret cover</p>	<p>1</p>

	<p>mushroom filter</p>	<p>1</p>
	<p>25mm turret cover tubes</p>	<p>2</p>
	<p>transport cover</p>	<p>1</p>
	<p>transport driver compartment</p>	<p>two parts</p>
	<p>transport turret</p>	<p>1</p>

	transport turret weapon opt 1	1
	transport turret weapon opt 2	1
	transport turret weapon opt 3	1
	transport turret weapon opt 4	1
	transport turret weapon opt 5	1

 A 3D CAD model of a transport turret weapon option 6. It features a rectangular base with a mounting bracket on top. Two long, parallel cylindrical tubes extend from the front of the base. The tubes have a textured, knurled section near the base.	transport turret weapon opt 6	1
 A 3D CAD model of a transport turret weapon option 7. It has a rectangular base with a mounting bracket on top. Two cylindrical tubes extend from the front, each with a circular opening at the end. The tubes are mounted on a common base with a central slot.	transport turret weapon opt 7	1
 A 3D CAD model of a transport turret weapon option 8. It features a rectangular base with a mounting bracket on top. Two long, parallel cylindrical tubes extend from the front. The tubes have a textured, knurled section near the base and a small opening at the end.	transport turret weapon opt 8	1