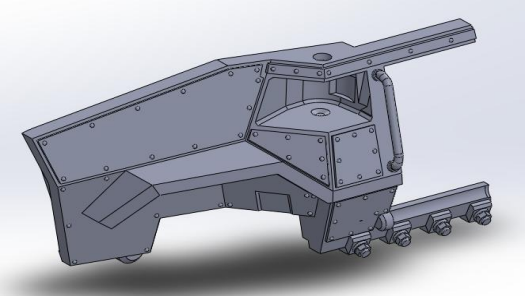
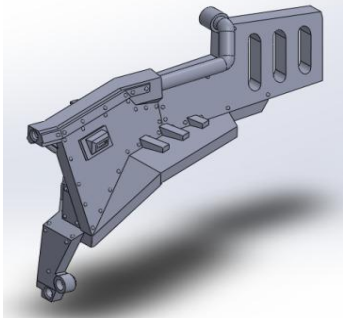
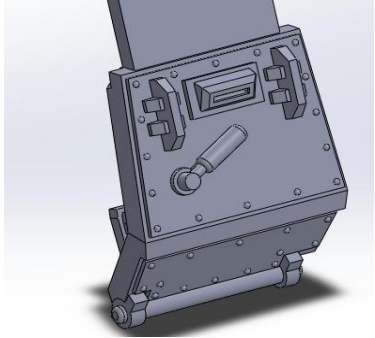
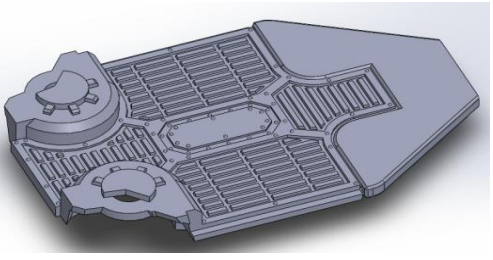
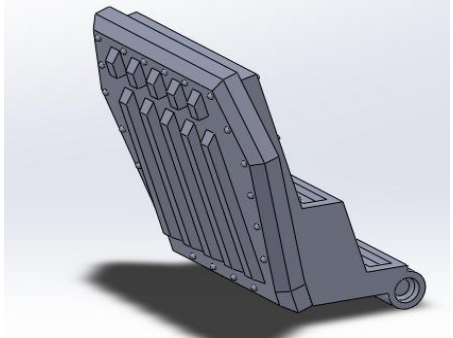
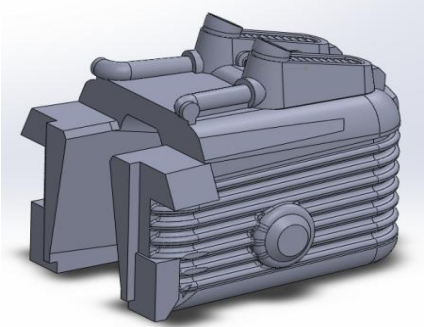
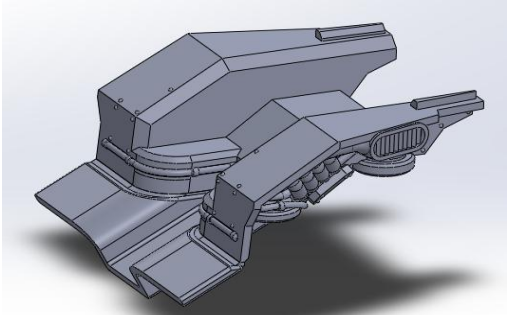
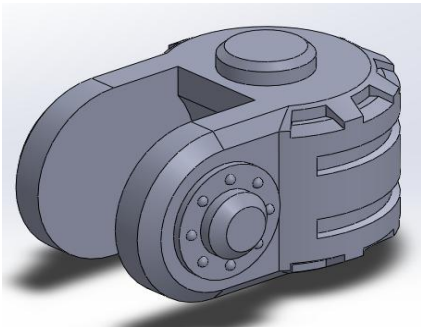
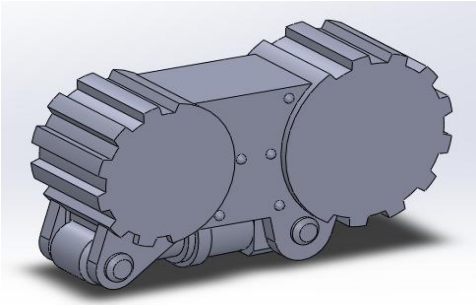
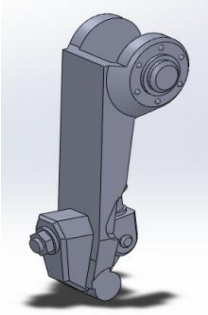
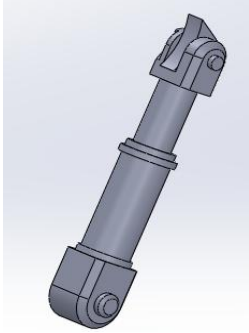
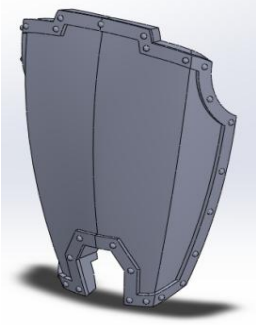
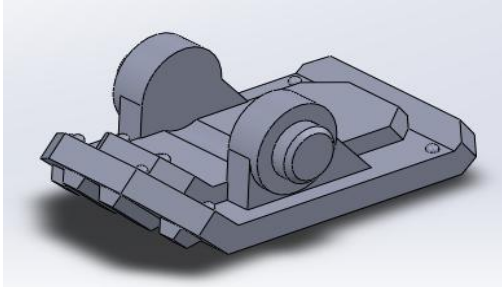
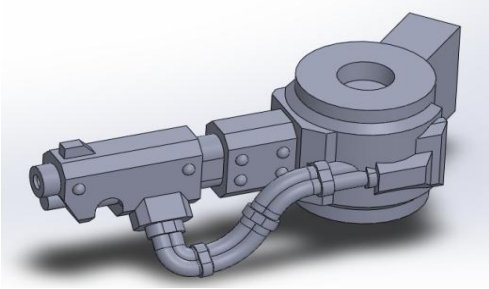
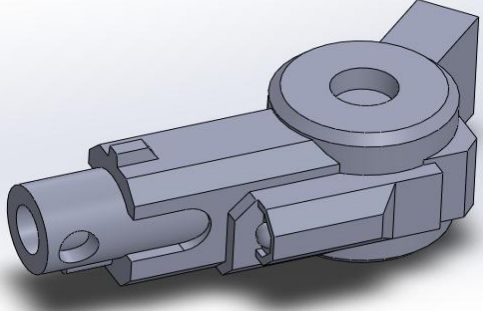
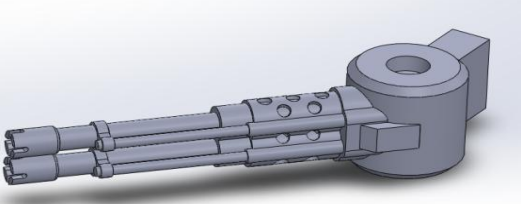
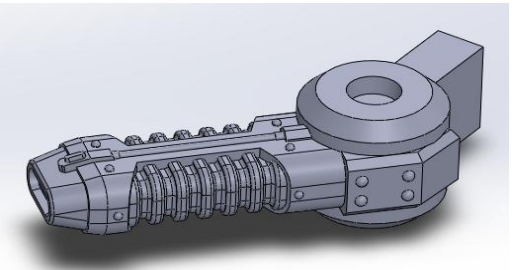


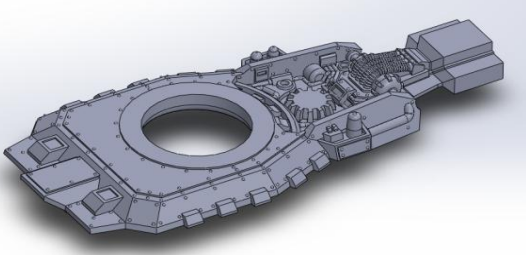
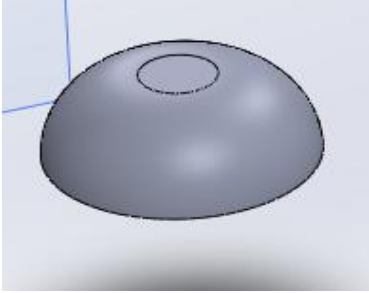
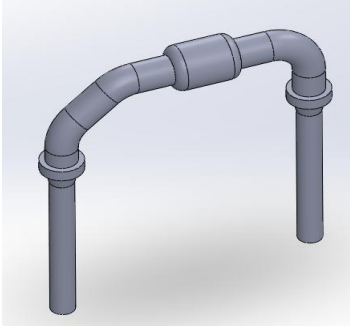
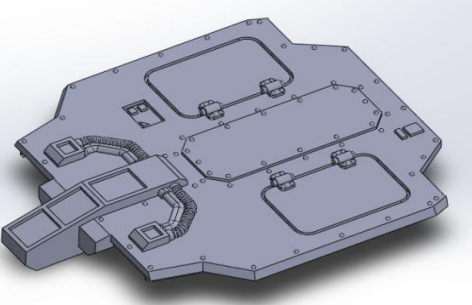
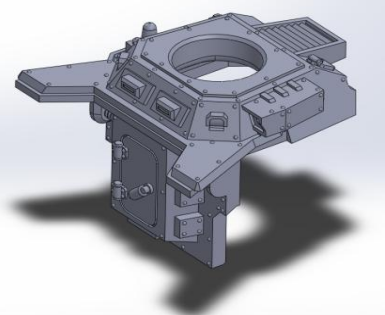
Heavy Crawler	0000000000031	
	Main body front	1
	Main body rear	1
	side hatch	L+R
	floor	1
	front hatch	1

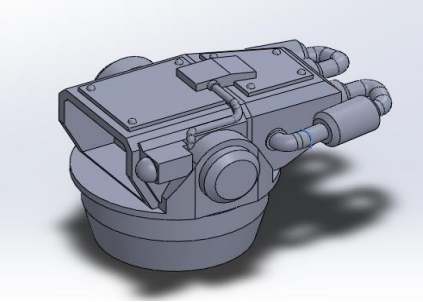
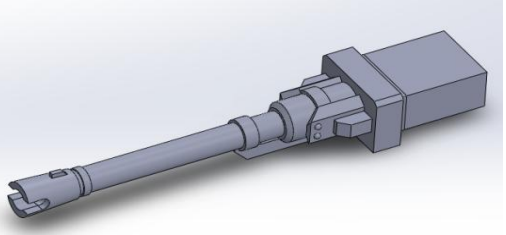
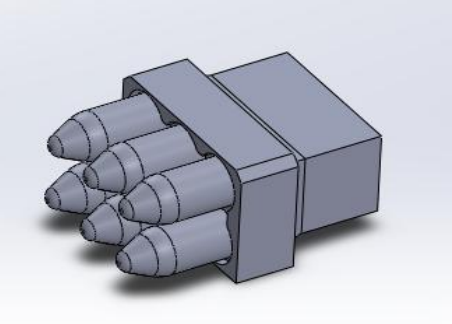
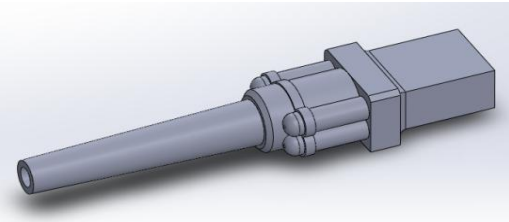
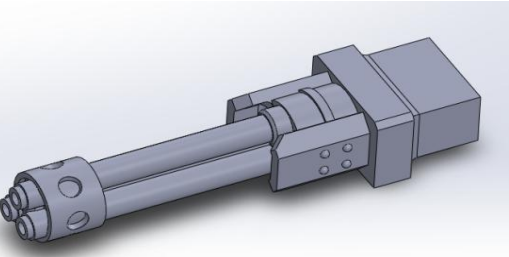
	<p>engine</p>	<p>1</p>
	<p>Mounting for rear legs</p>	<p>1</p>
	<p>shoulder</p>	<p>6</p>
	<p>arm</p>	<p>6</p>
	<p>leg</p>	<p>6</p>

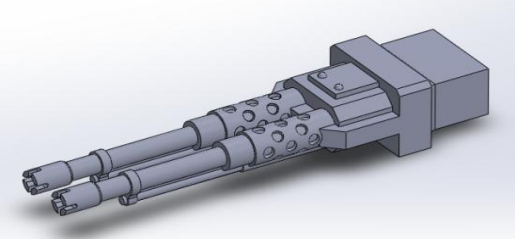
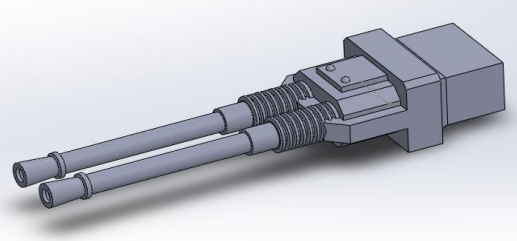
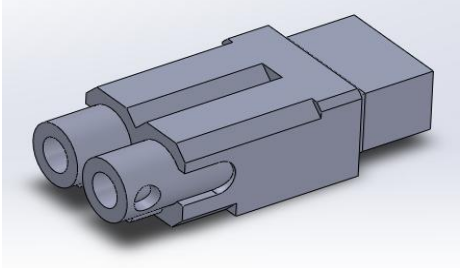
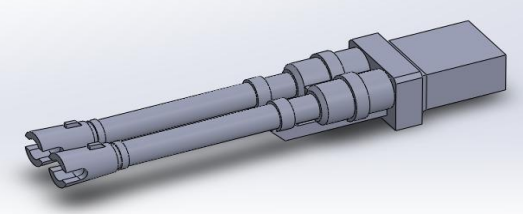
	<p>piston for leg</p>	<p>6+6</p>
	<p>armour plate</p>	<p>6</p>
	<p>foot</p>	<p>6</p>
	<p>side weapon opt 1</p>	<p>L+R</p>
	<p>side weapon opt 2</p>	<p>L+R</p>

 A 3D rendered model of a side weapon, option 3. It features a long, thin barrel with a small opening at the tip, mounted on a circular base with a rectangular protrusion on the right side.	side weapon opt 3	L+R
 A 3D rendered model of a side weapon, option 4. It has a shorter barrel with a complex, multi-barreled or textured tip, mounted on a circular base with a rectangular protrusion on the right side.	side weapon opt 4	L+R
 A 3D rendered model of a side weapon, option 5. It has a long barrel with several small openings along its length, mounted on a circular base with a rectangular protrusion on the right side.	side weapon opt 5	L+R
 A 3D rendered model of a side weapon, option 6. It has a complex, multi-barreled tip with a textured surface, mounted on a circular base with a rectangular protrusion on the right side.	side weapon opt 6	L+R
 A 3D rendered model of a side weapon, option 7. It has a barrel with a perforated or porous tip, mounted on a circular base with a rectangular protrusion on the right side.	side weapon opt 7	L+R

	<p>Front weapon opt 1</p>	<p>1</p>
	<p>Front weapon opt 2</p>	<p>1</p>
	<p>Front weapon opt 3</p>	<p>1+1</p>
	<p>Front weapon opt 4</p>	<p>1</p>
	<p>Top cover front</p>	<p>1</p>

	<p>25mm turret cover</p>	<p>1</p>
	<p>mushroom filter</p>	<p>1</p>
	<p>25mm turret cover tubes</p>	<p>2</p>
	<p>transport cover</p>	<p>1</p>
	<p>transport driver compartment</p>	<p>two parts</p>

	<p>transport turret</p>	<p>1</p>
	<p>transport turret weapon opt 1</p>	<p>1</p>
	<p>transport turret weapon opt 2</p>	<p>1</p>
	<p>transport turret weapon opt 3</p>	<p>1</p>
	<p>transport turret weapon opt 4</p>	<p>1</p>

	transport turret weapon opt 5	1
	transport turret weapon opt 6	1
	transport turret weapon opt 7	1
	transport turret weapon opt 8	1