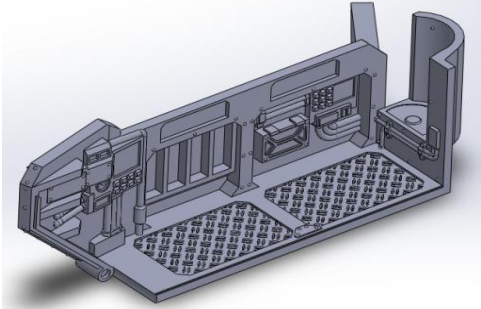
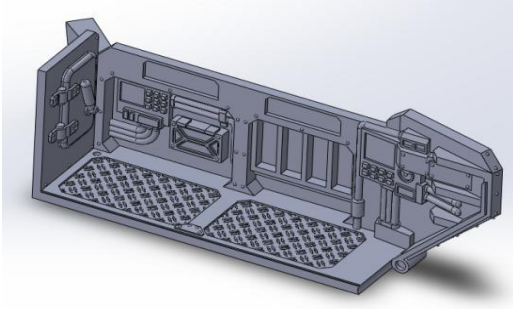
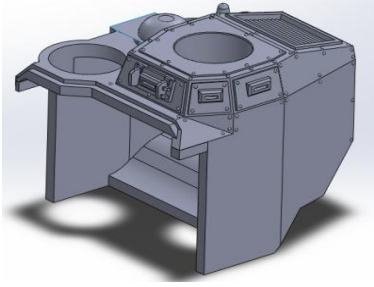
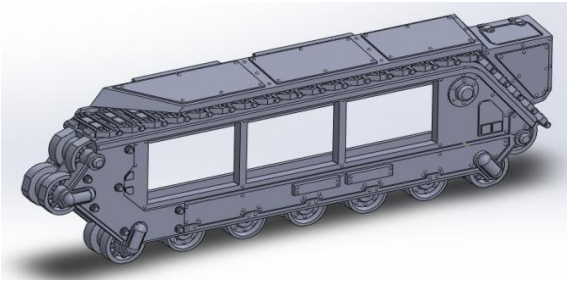
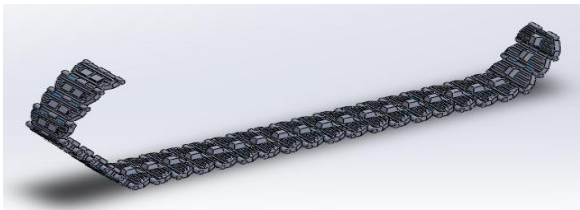
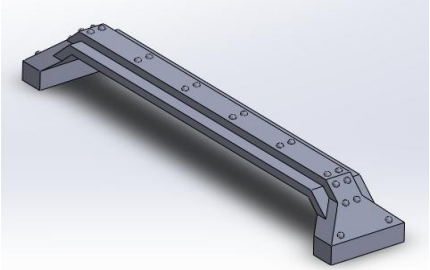
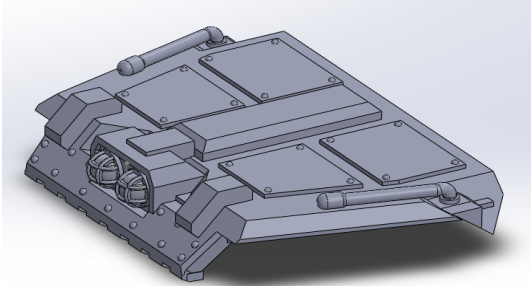
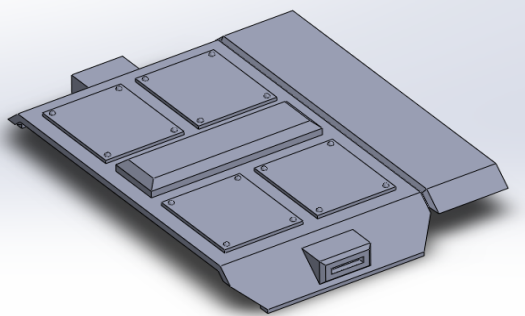
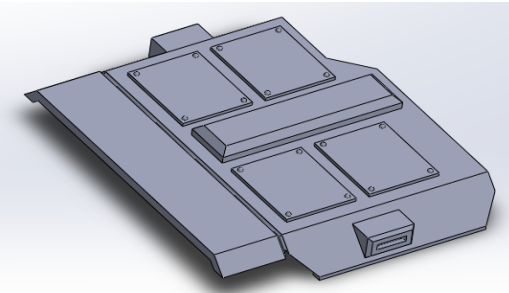
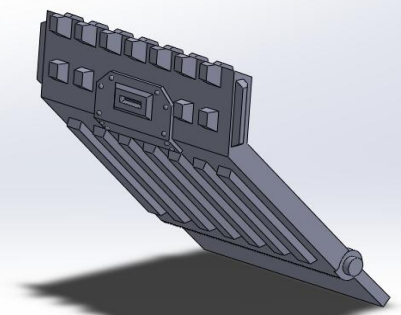
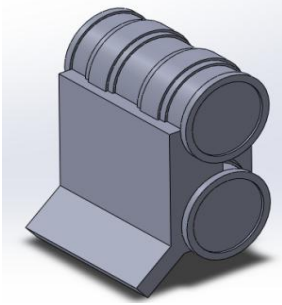
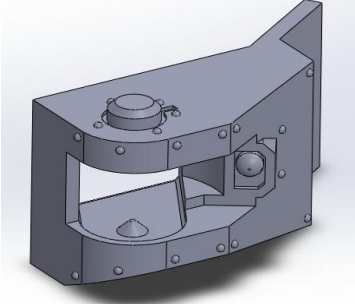
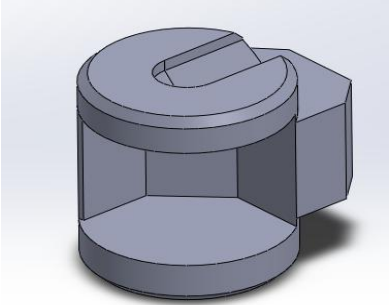
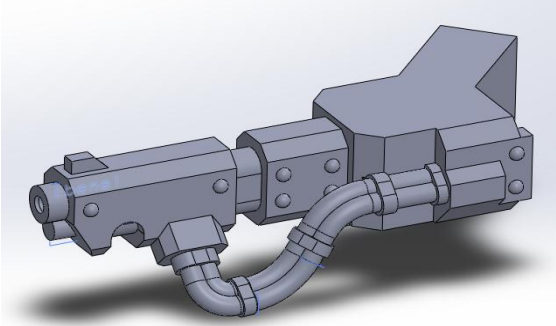
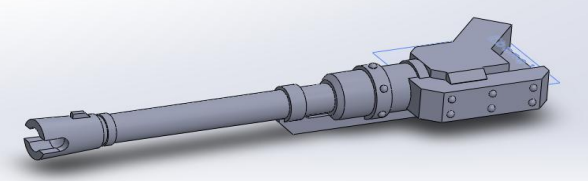
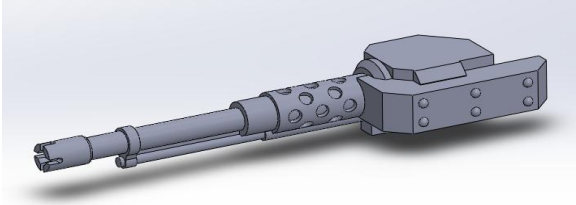
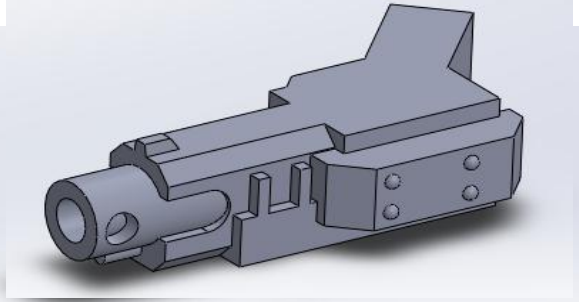
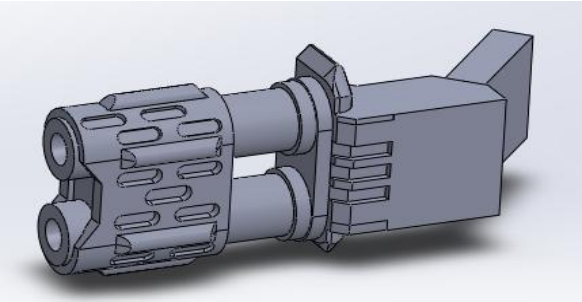
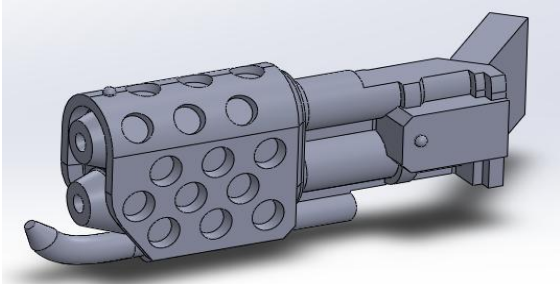
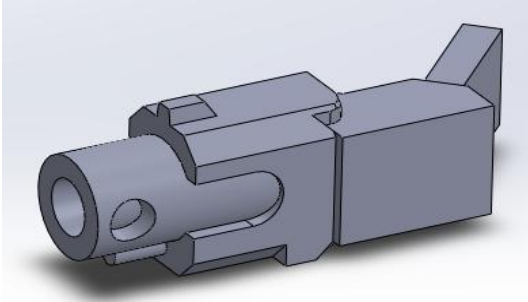


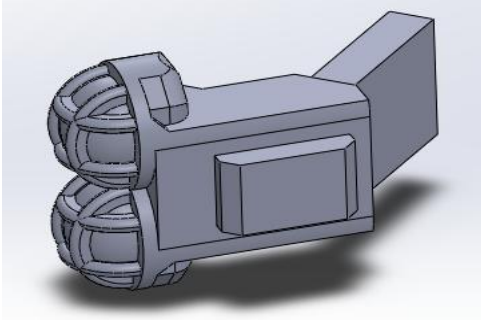
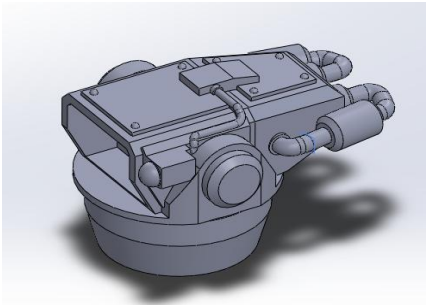
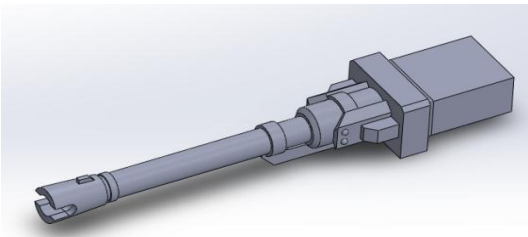
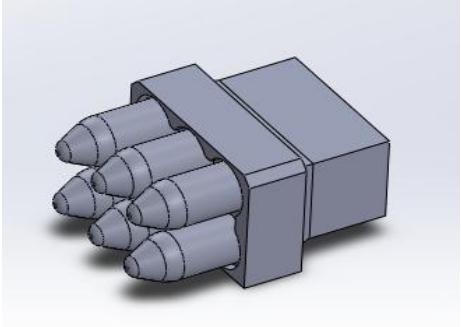
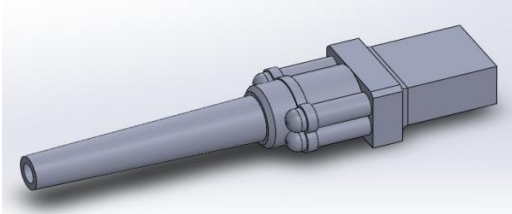
<p>MT Infantry Assault Vehicle</p>	<p>000000000055</p>	
	<p>main body right</p>	<p>1</p>
	<p>main body left</p>	<p>1</p>
	<p>main body rear</p>	<p>1</p>
	<p>Side Wall</p>	<p>L+R</p>
	<p>Tracks</p>	<p>L+R</p>

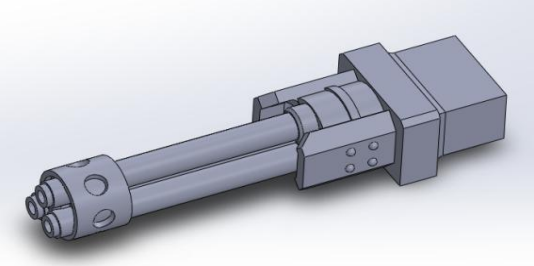
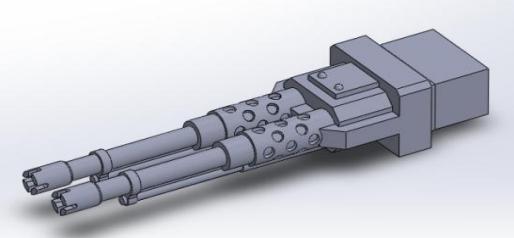
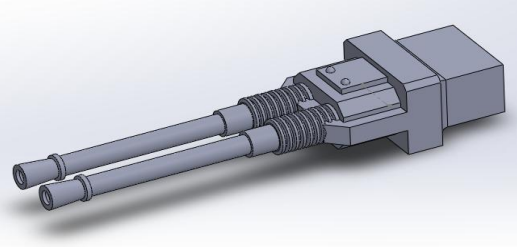
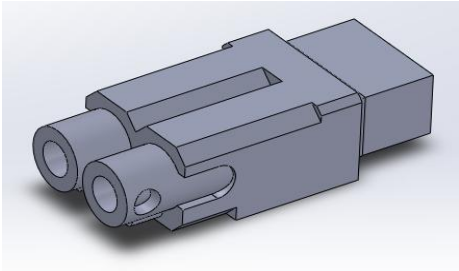
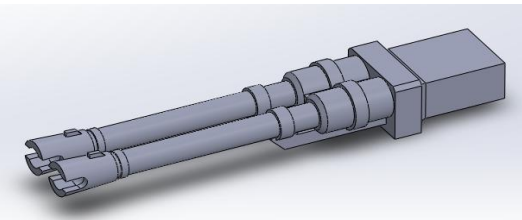
	<p>Sidewall Armour</p>	<p>6 Versions</p>
	<p>Mushroom Cover</p>	<p>1</p>
	<p>Commander Ring vision ports</p>	<p>1</p>
	<p>Commander Ring</p>	<p>1</p>
	<p>hatches</p>	<p>2</p>

 A 3D CAD model of a long, narrow cross bar with a flared end and several mounting holes along its length.	cross bar	2
 A 3D CAD model of a front cover with a complex, angular shape, featuring a central opening and several mounting points.	front cover	1
 A 3D CAD model of a middle cover, a flat rectangular plate with several rectangular cutouts and a small protrusion on one side.	middle cover	1
 A 3D CAD model of a rear cover, similar to the middle cover but with a different shape and a small protrusion on the opposite side.	rear cover	1
 A 3D CAD model of a front hatch, a rectangular plate with a series of raised tabs along one edge and a central opening.	front hatch	1

	<p>optional barrels</p>	<p>1</p>
	<p>side sponson</p>	<p>L+R</p>
	<p>sponson turret</p>	<p>L+R</p>
	<p>side sponson weapon opt 1</p>	<p>L+R</p>
	<p>side sponson weapon opt 2</p>	<p>L+R</p>

	<p>side sponson weapon opt 3</p>	<p>2 Versions each L+R</p>
	<p>front weapon opt 1</p>	<p>L+R</p>
	<p>front weapon opt 2</p>	<p>L+R</p>
	<p>front weapon opt 3</p>	<p>L+R</p>
	<p>front weapon opt 4</p>	<p>L+R</p>

	<p>front optics</p>	<p>L+R</p>
	<p>transport turret</p>	<p>1</p>
	<p>transport turret weapon opt 1</p>	<p>1</p>
	<p>transport turret weapon opt 2</p>	<p>1</p>
	<p>transport turret weapon opt 3</p>	<p>1</p>

 A 3D CAD model of a transport turret weapon option 4. It features a long, cylindrical barrel with a multi-lens objective at the front and a rectangular mounting bracket at the rear.	transport turret weapon opt 4	1
 A 3D CAD model of a transport turret weapon option 5. It has a long barrel with a complex, multi-lens objective and a rectangular mounting bracket at the rear.	transport turret weapon opt 5	1
 A 3D CAD model of a transport turret weapon option 6. It features a long barrel with a multi-lens objective and a rectangular mounting bracket at the rear.	transport turret weapon opt 6	1
 A 3D CAD model of a transport turret weapon option 7. It has a shorter barrel with a multi-lens objective and a rectangular mounting bracket at the rear.	transport turret weapon opt 7	1
 A 3D CAD model of a transport turret weapon option 8. It features a long barrel with a multi-lens objective and a rectangular mounting bracket at the rear.	transport turret weapon opt 8	1