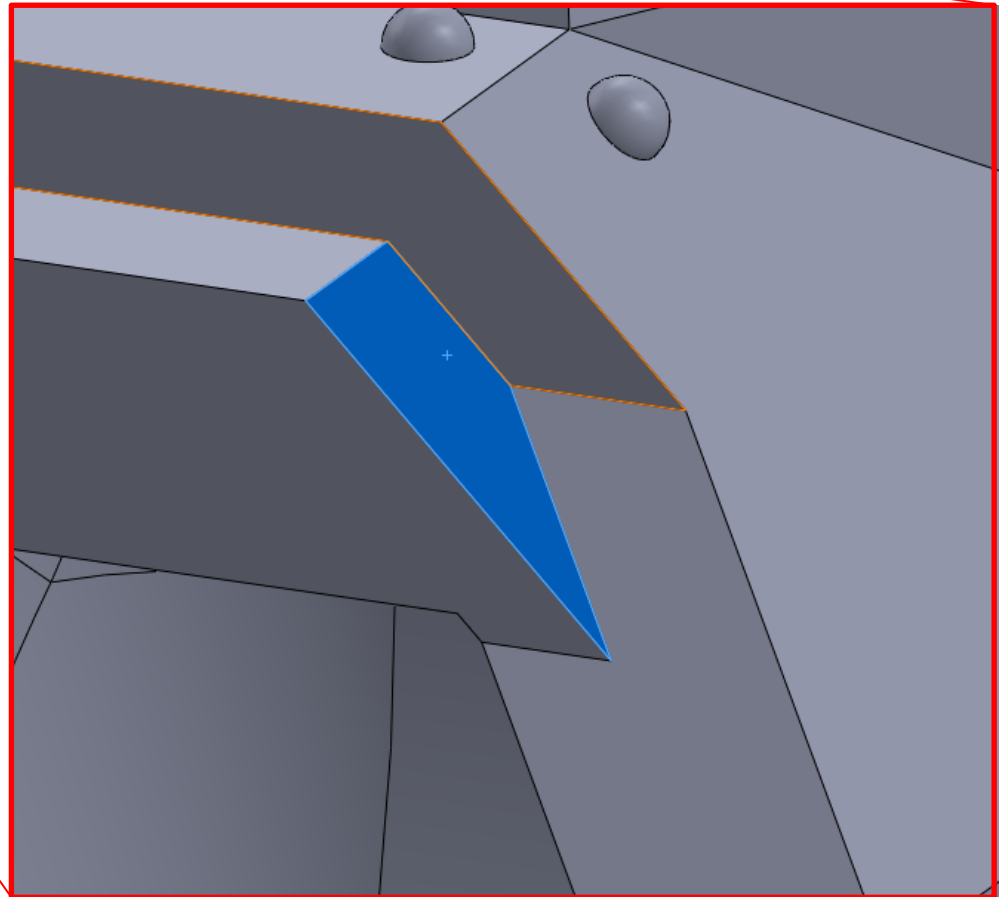
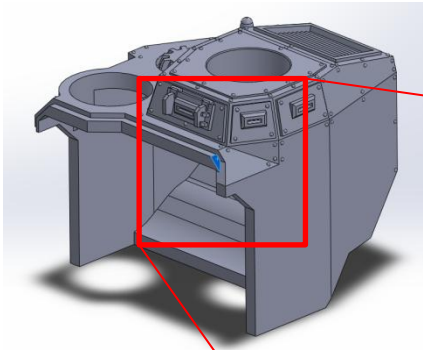
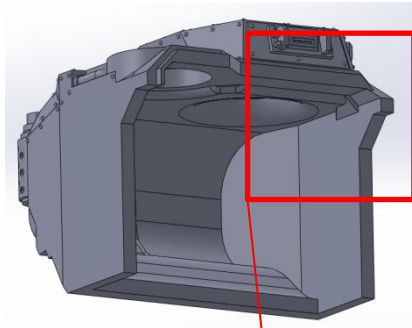
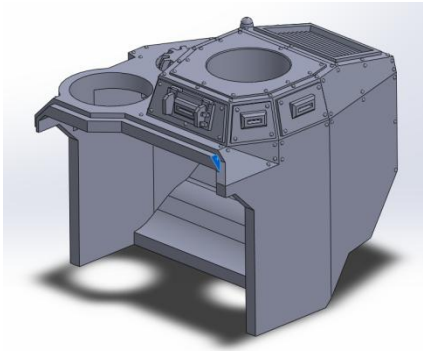


Rework Instruction V2

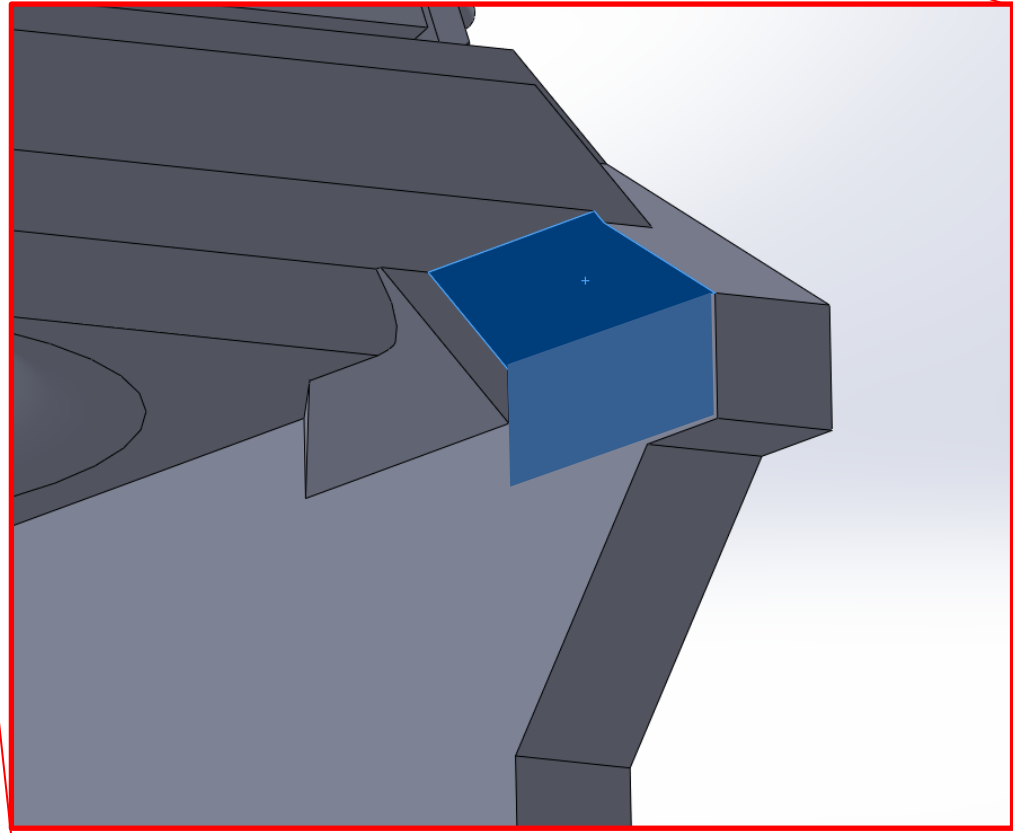
Infantry Assault Vehicle

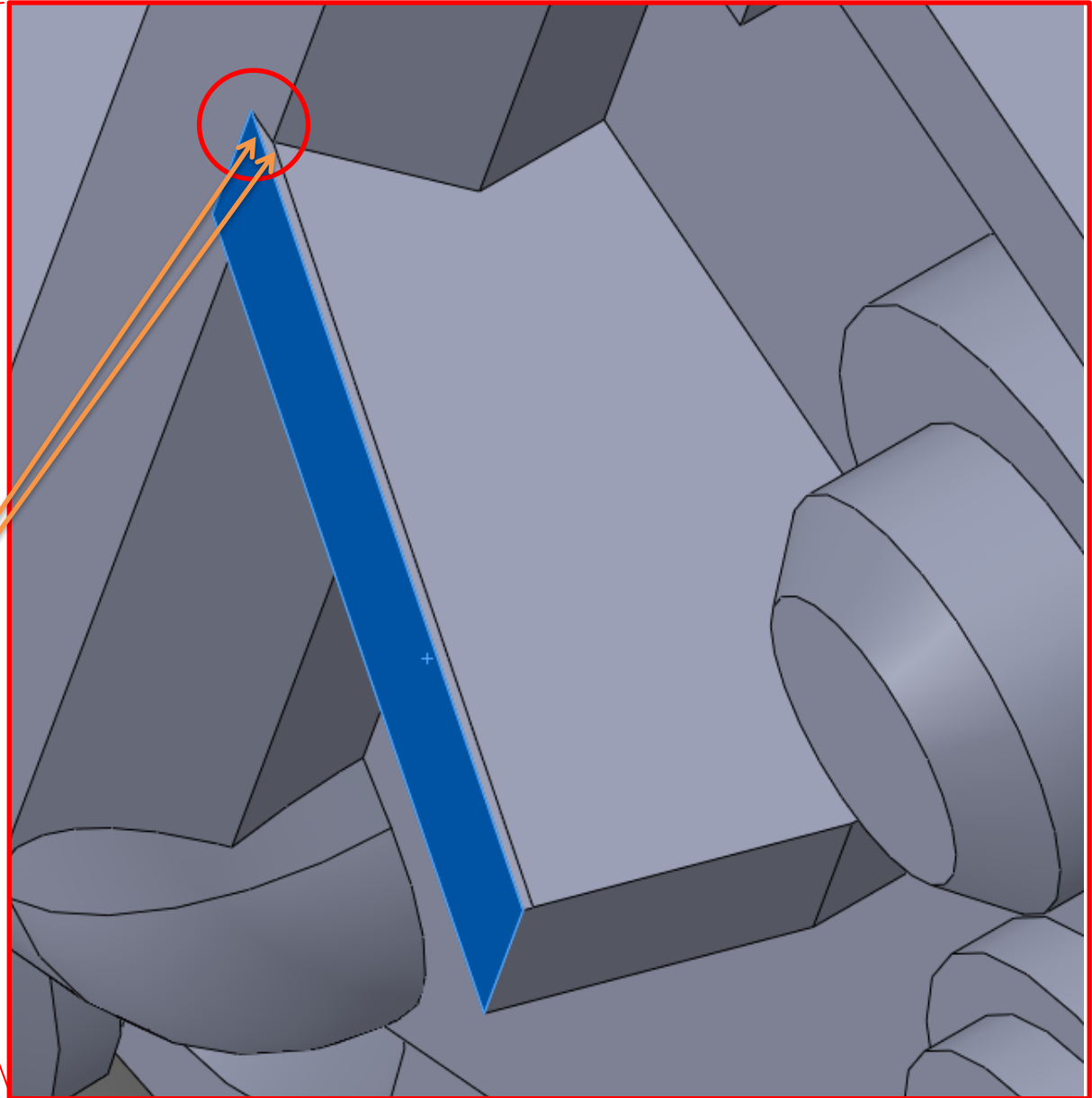
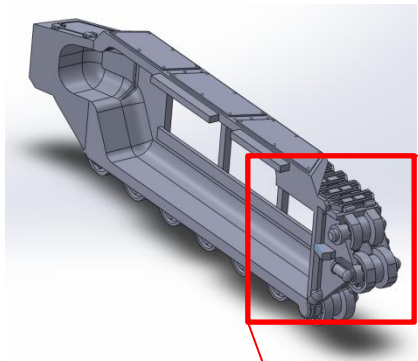


Remove material on the marked surface to make sure the top cover element sits properly

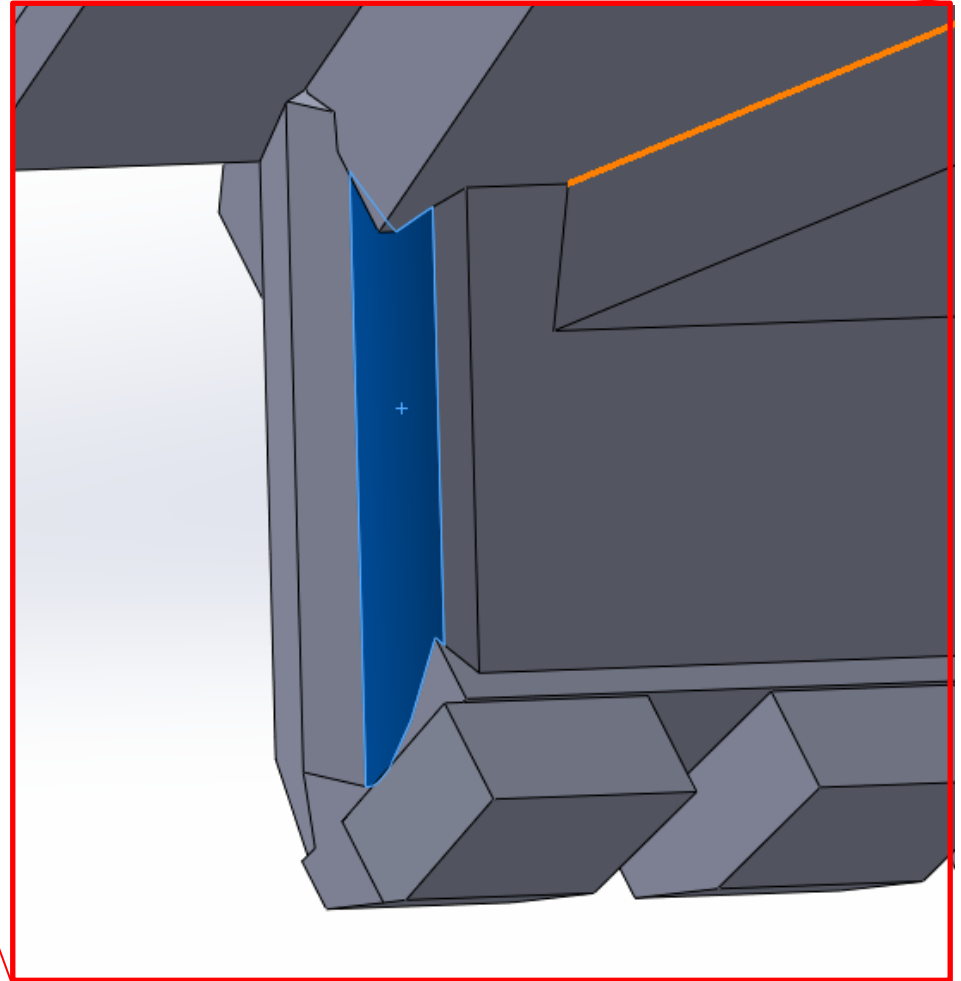
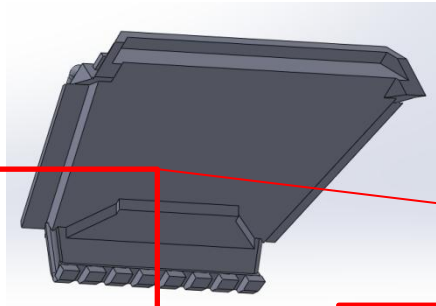
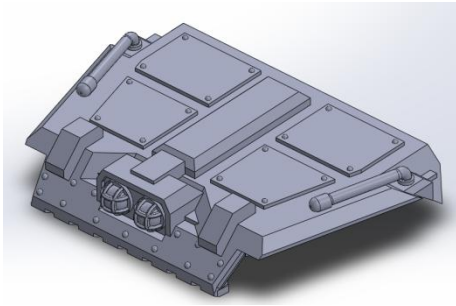


Remove material on the marked surfaces to ensure proper fit of the engine part and side walls. This has to be done on both sides.

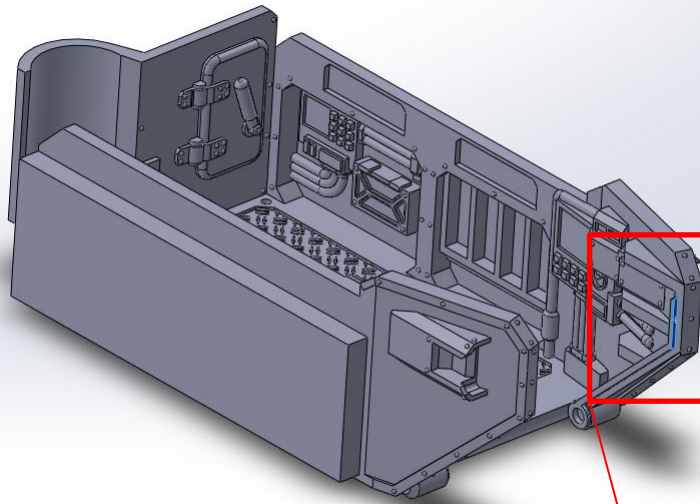




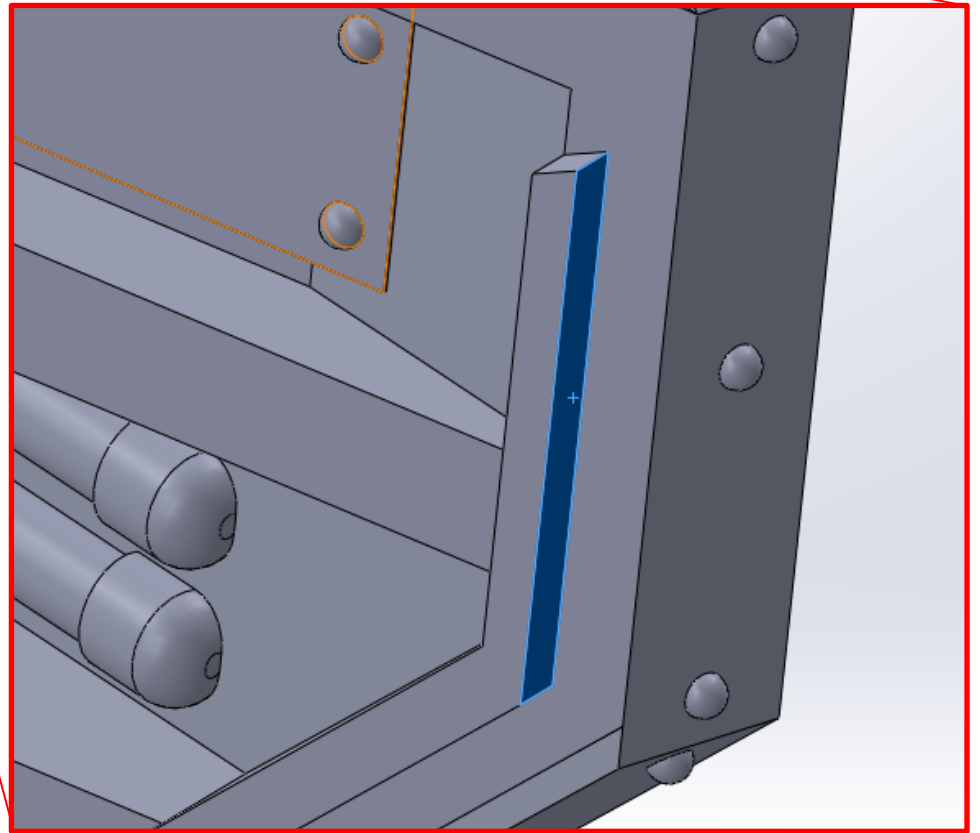
Remove the blue marked material until the edges align.

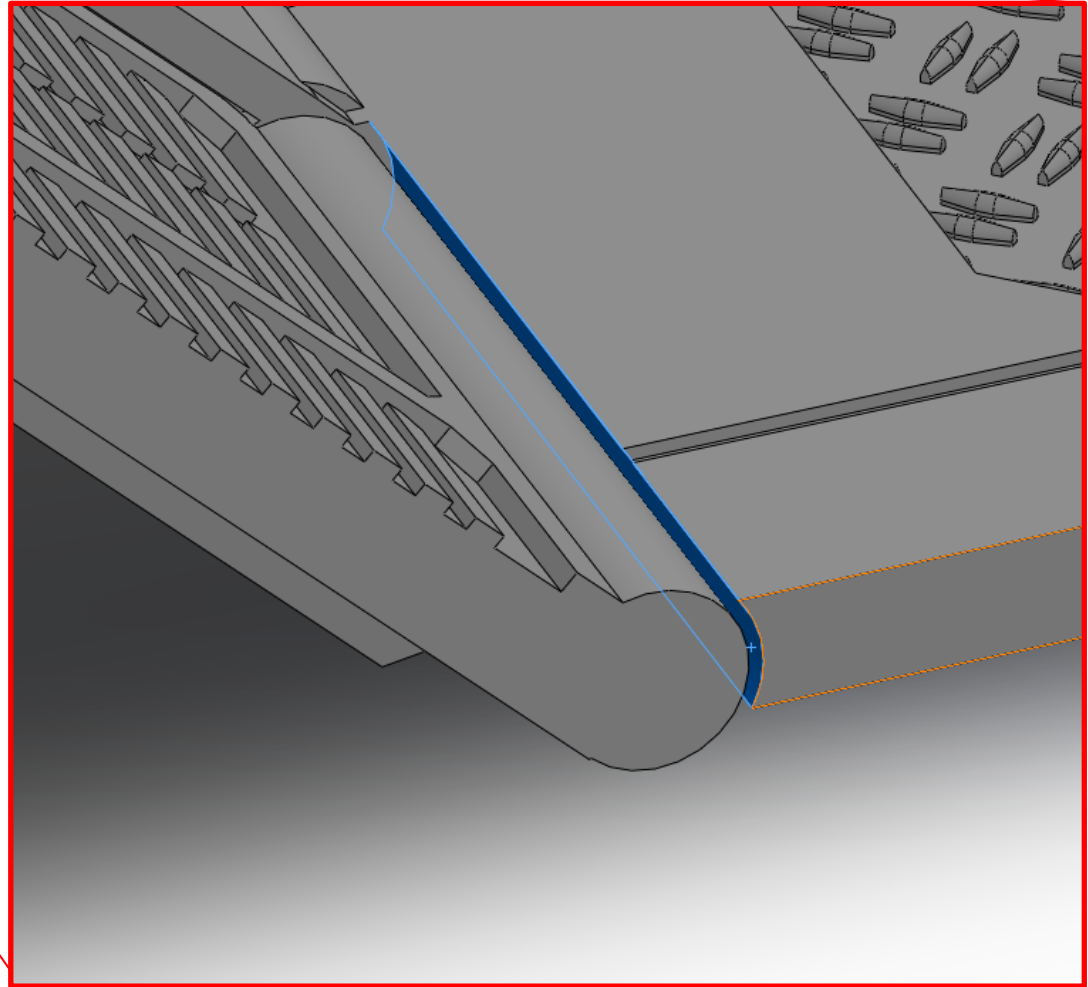
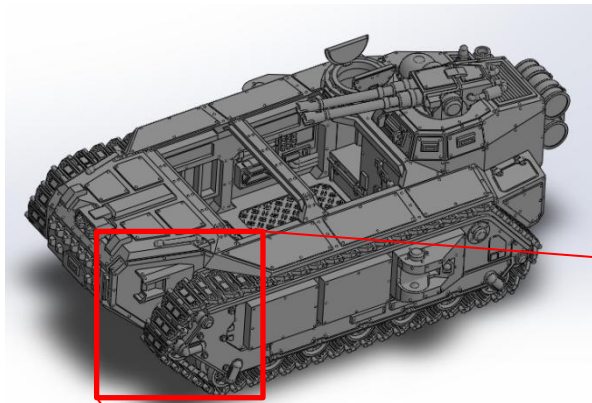


Add a chamfer or radius to the marked edge to avoid collision between the cover and the side wall elements

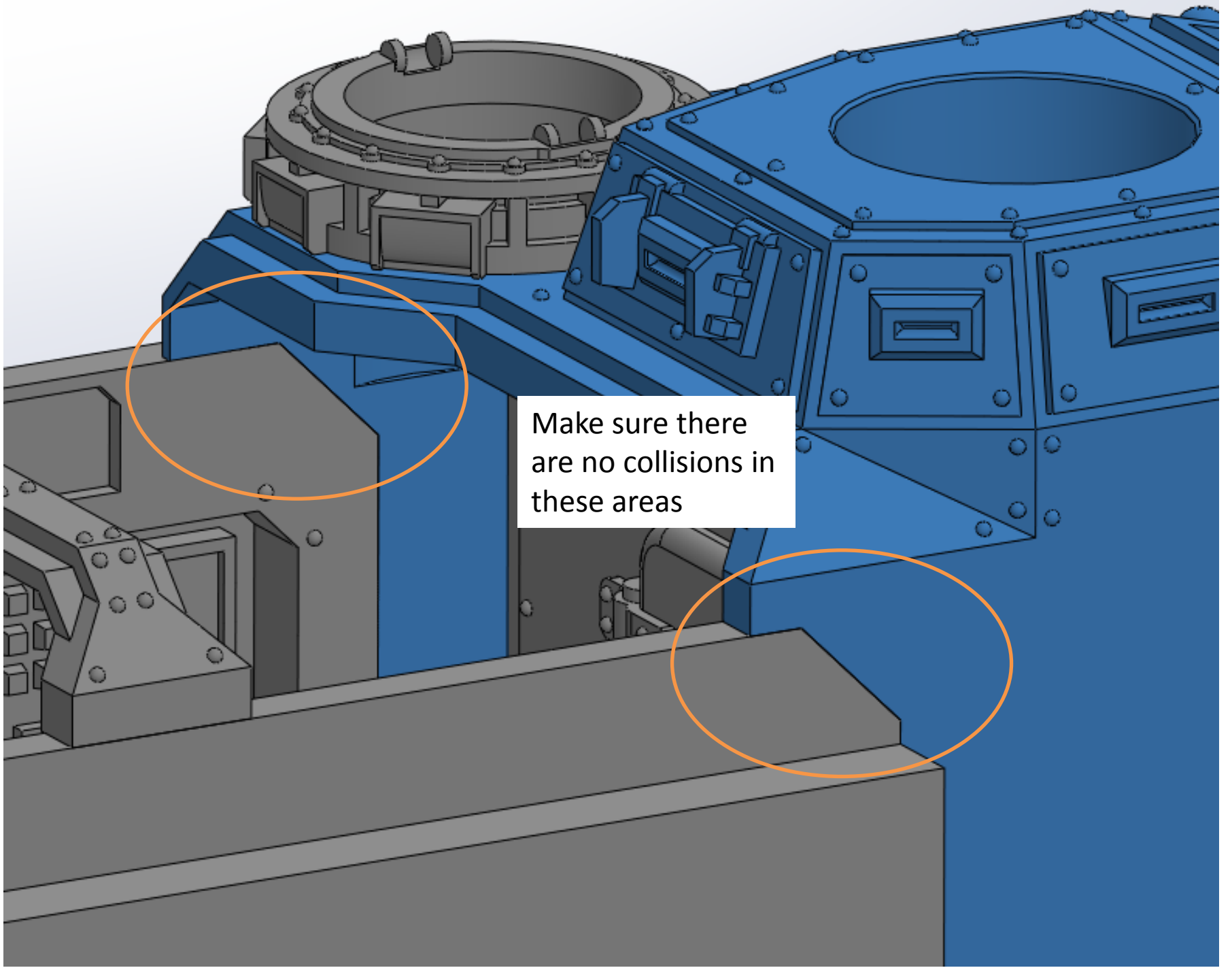


Remove roughly 0,5mm
of the marked surface
to ensure the front
hatch closes properly

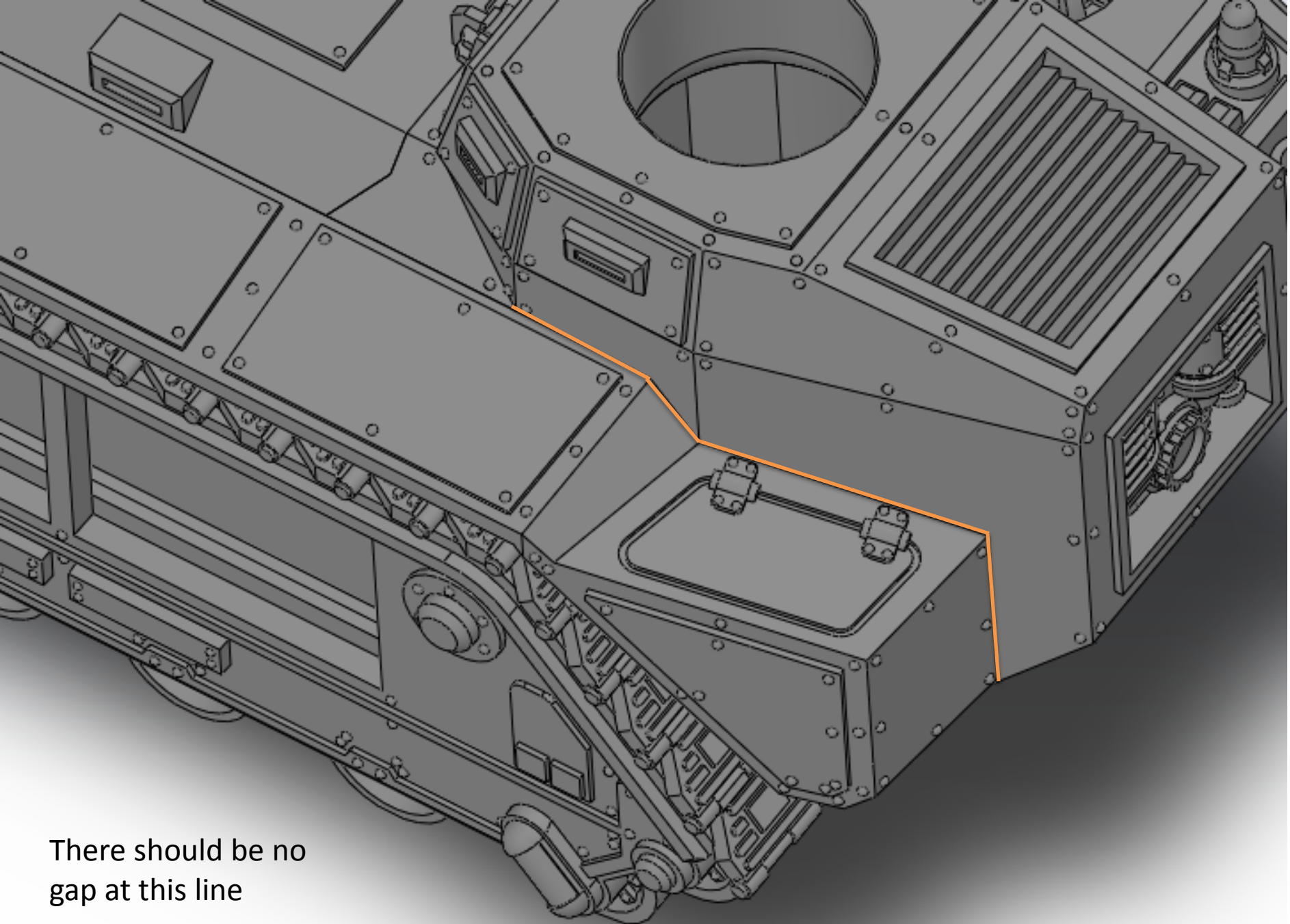




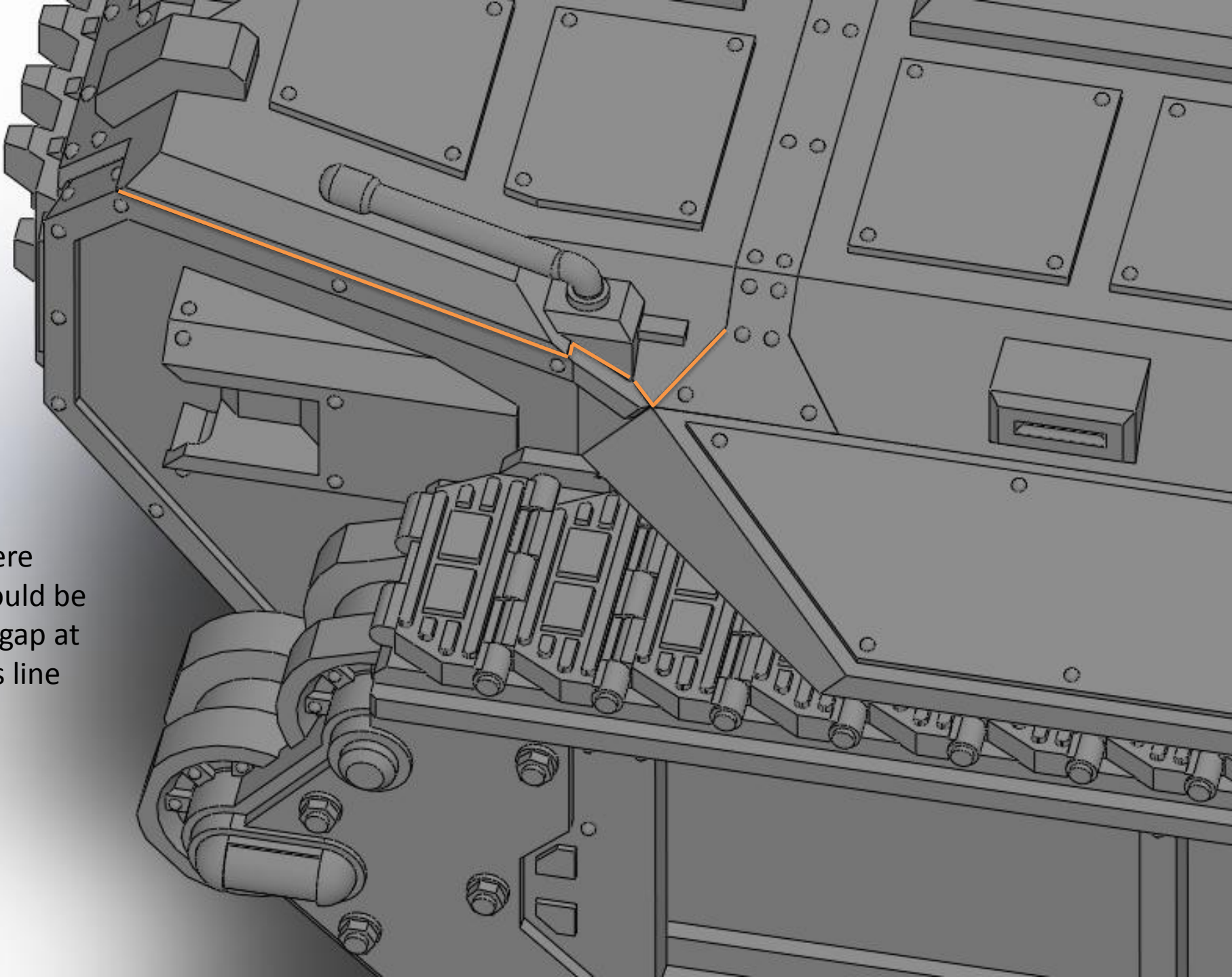
If you have a problem with the front hatch, it might help if you remove some material from the blue surface



Make sure there are no collisions in these areas



There should be no gap at this line



There should be no gap at this line